



HONGSA MINE MOUTH POWER PROJECT
Material Handling System Package

GENERAL ARRANGEMENT, BOM & TECHNICAL DATA SHEET FOR
6.6kV CAPACITOR 300KVAr - WASTE LINE CONVEYOR SYSTEM

Rev	Date	Description	Prepared	Checked	Approved
A	22.07.13	ISSUE FOR APPROVAL	BV	SK	FX
B	05.09.13	AS PER CUSTOMER COMMENTS	BV	SK	FX
C	22.07.15	AS BUILT DRAWINGS	BV	SK	FX

CLIENT		HONGSA POWER COMPANY LIMITED				
		DRG. NO.				
<p><small>This drawing is confidential and our intellectual property. It must not be reproduced nor transferred to or brought within the reach of third parties without our written permission. Likewise, the receiver is not allowed to use this drawing as a basis for manufacture. Violation of the above conditions will result in legal prosecution. Sandvik Mining and Construction Materials Handling GmbH & Co KG</small></p>		Released for Approval				
Date		22.07.13				
Signed		SK				
		Date	Name	Scale		
		22.07.13	BV	Material		
ABB INDIA LTD Bangalore		22.07.13	BV			
		22.07.13	SK	Mass		
Sandvik Mining and Construction Materials Handling		22.07.13	SK			
Title		Checked	22.07.13	SK		
C1043-HONGSA MINE MOUTH POWER PROJECT-COAL HANDLING SYSTEM		Signed	22.07.13	SK		
GENERAL ARRANGEMENT, BOM & TECHNICAL DATA SHEET FOR		Sandvik Drg. No.1043C00M-30-801-01		Sheets	Rev.	Size
6.6kV CAPACITOR 300KVAr-WASTE LINE CONVEYOR SYSTEM		ABB Drg. No. 3BYN463001-BEJ		10	C	A4

A

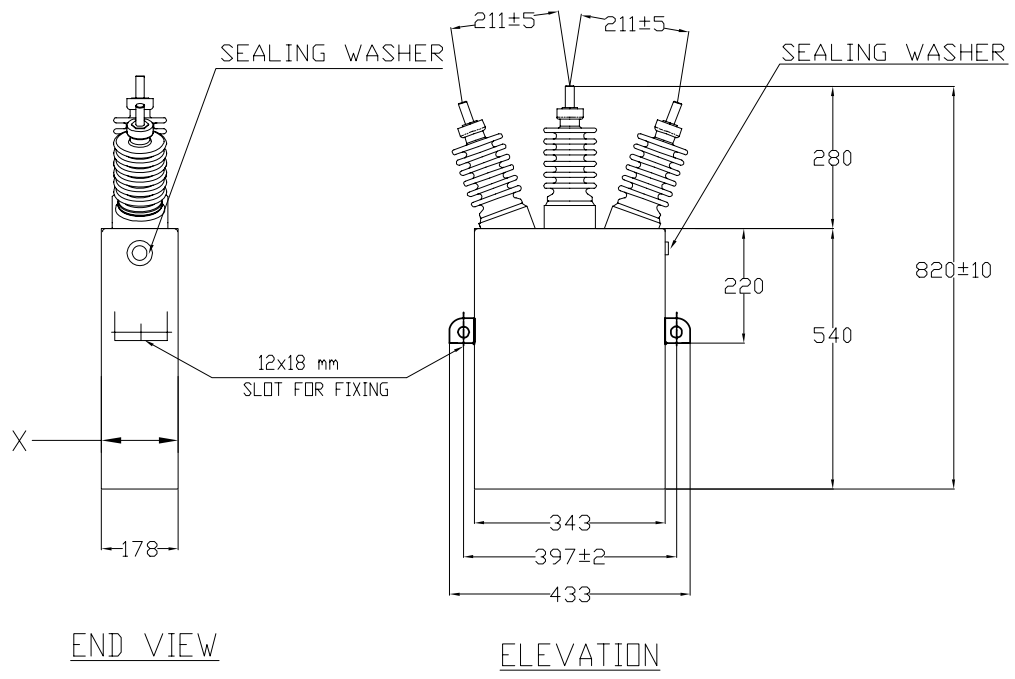
B

C

D

E

F



NOTE:

1. ALL DIMENSIONS ARE IN mm.
2. THIS DRAWING IS FOR 7.26kV, 363KVAR, STAR CONNECTED 3PH UNIT.
3. RATED FREQUENCY 50Hz.
4. UNIT IS EXTERNAL FUSED.
5. UNIT INSULATION LEVEL 28/75kV(RMS/peak).
6. REFERENCE STANDARD IEC 60871.
7. TIME TO DISCHARGE TO 50 V IN 600 SECONDS.
8. SS SHELL : 1.5MM THICK.
9. PAINT SHADE IS RAL 7032.

X:EXPANDABLE UPTO 190MM

YC1H418352-031

Client:
HONGSA POWER
HONGSA POWER COMPANY LIMITED
 DWG. NO.

This drawing is confidential and our Intellectual property. It must not be reproduced nor transferred to or brought within the reach of third parties without our written permission. Likewise, the receiver is not allowed to use this drawing as a basis for manufacture. Violation of the above conditions will result in legal prosecution. Sandvik Mining and Construction Materials Handling GmbH & Co KG

ABB Limited, Bangalore Sandvik Mining and Construction Materials Handling

Title 1043-HONGSA MINE MOUTH PROJECT-COAL HANDLING SYSTEM
CAPACITOR UNIT DRAWING
 ABB DWG. No. 3BYN463001-BEJ

Released for Approval			
Date	14.06.2013		
Signed	KR		
Date	Name	Scale NTS	
Designed	22.07.13	KR	Material
Drawn	22.07.13	KR	
Checked	22.07.13	VK	Mass
Signed	22.07.13	KR	
Sandvik-Dwg.No.	Sheet 2 of 10	Rev C	Size A4
1043C00M-30-801-01			

REV.	BY	DATE	DESCRIPTION	CKD.	APP.
C	KR	05.09.14	As Built Drawing	KR	VK

A

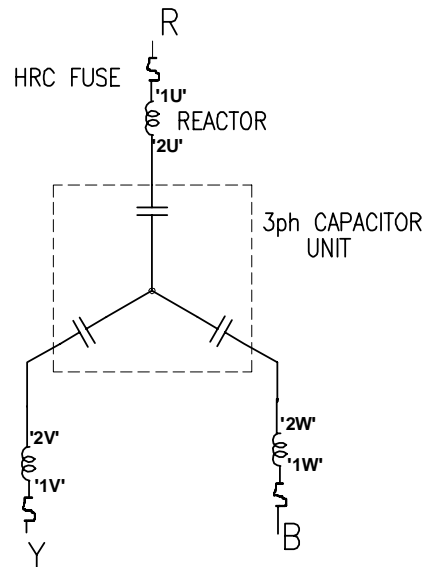
B

C

D

E

F



SCHEMATIC DIAGRAM

LEGEND	DESCRIPTION
	HRC FUSE
	REACTOR
	CAPACITOR UNIT

YC1H318352-002

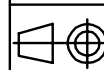
Client

**HONGSA
POWER**

HONGSA POWER COMPANY LIMITED

DWG. NO.

This drawing is confidential and our intellectual property. It must not be reproduced nor transferred to or brought within the reach of third parties without our written permission. Likewise, the receiver is not allowed to use this drawing as a basis for manufacture. Violation of the above conditions will result in legal prosecution. Sandvik Mining and Construction Materials Handling GmbH & Co KG



Sandvik Mining and Construction
Materials Handling

Title 1043-HONGSA MINE MOUTH PROJECT-COAL HANDLING SYSTEM

SCHEMATIC DIAGRAM OF 6.6kV, 300kvar,
3Ph, ENCLOSED CAPACITOR BANK.

ABB DWG. No. 3BYN463001-BEJ

Released for Approval

Date 14.06.2013

Signed VK

Date Name Scale NTS

Designed 14.06.13 DG

Drawn 14.06.13 DG Material

Checked 14.06.13 DG Mass

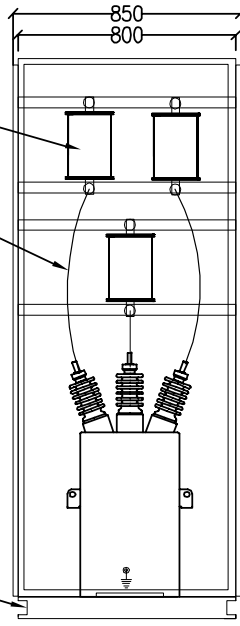
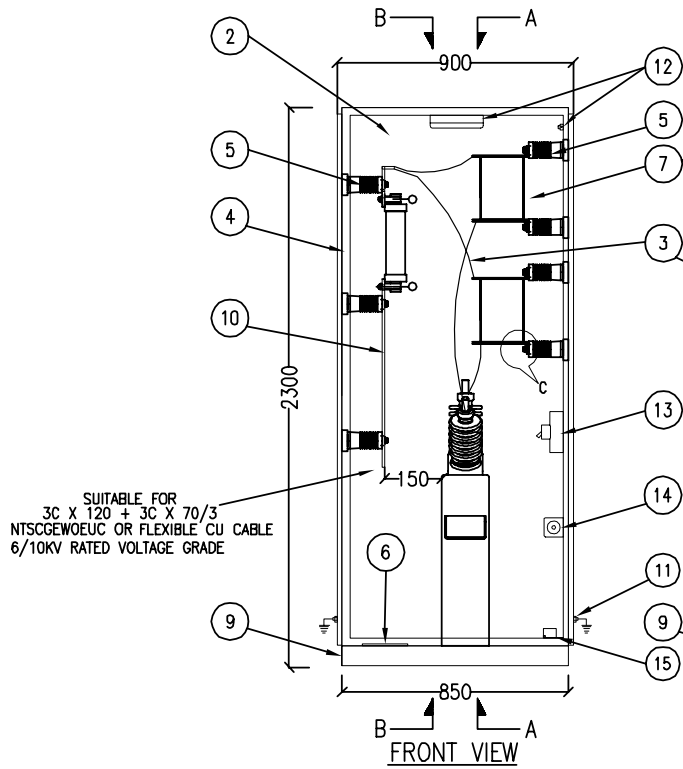
Signed 14.06.13 VK

Sandvik-Dwg No. Sheet 3 of 10 Rev Si

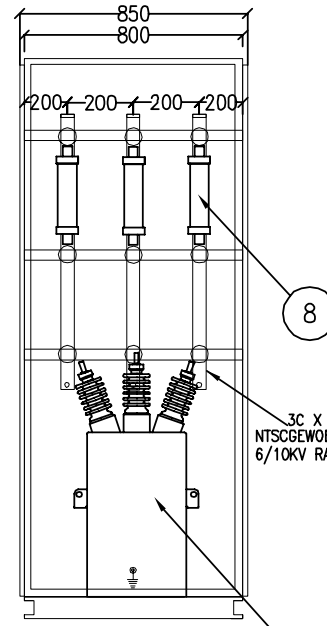
- C A

REVISION

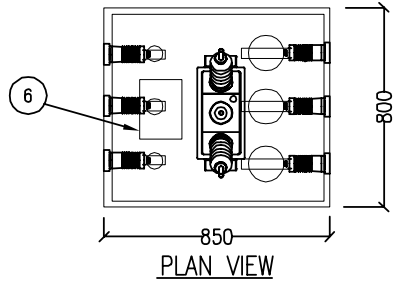
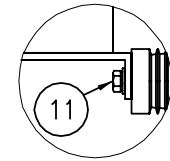
REV.	BY	DATE	DESCRIPTION	CKD.	APP.
C	DG	05.09.14	As Built Drawing	DG	VK



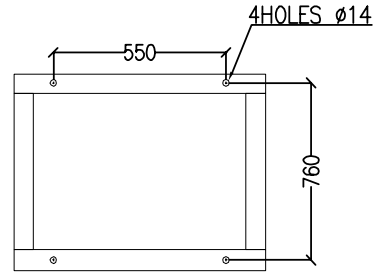
SECTION A-A



SECTION B-B



PLAN VIEW



MOUNTING DETAILS

NOTES:

- A. ALL DIMENSIONS ARE IN mm AND DRAWING IS NOT TO SCALE
- B. DIMENSIONS ARE WITH TOLERANCE OF +/-5%
- C. CLEARANCES FOLLOWED ARE CORRESPONDING TO THE HIGHEST SYSTEM VOLTAGE FOR 7.2 KV
Ph-Ph :90 mm, Ph-Gnd :90 mm
- D. ALL THE COMPONENTS USED IN THE PANEL SUITABLE FOR 6.6KV UE SYSTEM.
- E. INDOOR PANEL, PROTECTION CLASS IP42.
- F. REF. BOM FOR THE DETAILS (1) TO (10)

YC1H318352-001

REVISION	REV.	BY	DATE	DESCRIPTION	CKD.	APP.
	C	DG	05.09.14	As Built Drawing	DG	VK

Client
HONGSA POWER

HONGSA POWER COMPANY LIMITED
DWG. NO.

This drawing is confidential and our intellectual property. It must not be reproduced nor transferred to or brought within the reach of third parties without our written permission. Likewise, the receiver is not allowed to use this drawing as a basis for manufacture. Violation of the above conditions will result in legal prosecution. Sandvik Mining and Construction Materials Handling GmbH & Co KG

ABB ABB Limited, Bangalore
SANDVIK Sandvik Mining and Construction Materials Handling

Title 1043-HONGSA MINE MOUTH PROJECT-COAL HANDLING SYSTEM
GA OF 6.6KV, 300kvar, 3Ph, ENCLOSED CAPACITOR BANK
ABB DWG. No. 3BYN463001-BEJ

Released for Approval			
Date	14.06.2013		
Signed	VK		
Date	Name	Scale	NTS
Designed	14.06.13	DG	Material
Drawn	14.06.13	DG	
Checked	14.06.13	DG	Mass
Signed	14.06.13	VK	
Sandvik-Dwg.No.	Sheet 4 of 10	Rev C	Si: A.

SL.NO.	MATERIAL DESCRIPTION	MAKE	QUANTITY
1.	CAPACITOR OF RATING 7.26Kv, 363kVAr, 3ph 50HZ INTERNALLY STAR CONNECTED , EXTERNALLY FUSED PAINTED WITH PU PAINT OF SHADE RAL 7032 (SS CONTAINER)	ABB	1
2.	ENCLOSURE OF CRCA SHEET OF THICKNESS 2mm POWDER COATED WITH SHADE RAL 7032.	ABB	1
3.	50sqmm HT MERUNE COLOUR SLEEVED FLEXIBLE CU-CONDUCTOR(1RUN)	-	AS REQUIRED
4.	3mm CRCA SHEET FRAME FOR LOAD BEARING MEMBERS POWDER COATED WITH SHADE RAL 7032(MAIN FRAME)	ABB	
5.	12KV GRADE RESINCAST INSULATOR (240mm CREEPAGE).	ELCO	15
6.	MS GLAND PLATE OF THICKNESS 3MM. AT INCOMING CABLE ENTRY FROM BOTTOM WHICH IS SUITABLE FOR 3C X 120 + 3C X 70/3 NTSCGEWEOEUC OR FLEXIBLE CU CABLE WITHOUT PUNCHED HOLE.	ABB	1
7.	REACTOR (6.6KV, 28.87A, 50uH)	QUALITY POWER	3
8.	HRC FUSE (7.2KV, 75A)	COOPER BUSSMAN	3
9.	ISMC75 MS BASE CHANNEL PAINTED WITH BLACK COLOUR FOR MOUNTING.	-	AS REQUIRED
10.	40 X 10MM TINNED COPPER FLAT WITH HT COLOUR CODED SLEEVES.	-	AS REQUIRED
11.	HARDWARE (ZINC PASSIVATED)	-	AS REQUIRED
12.	TUBE LIGHT AND LIMIT SWITCH	PHILLIPS & VAISHNO	1
13.	MCB,2P,6 Amps	ABB	1
14.	SPACE HEATER	ENCORE	1
15.	THERMO START	GIRISH	1

YC1H318352-004

REV.	BY	DATE	DESCRIPTION	CKD.	APP.
C	DG	05.09.14	As Built Drawing	DG	VK

Client
**HONGSA
POWER**

HONGSA POWER COMPANY LIMITED

DWG. NO.

This drawing is confidential and our intellectual property. It must not be reproduced nor transferred to or brought within the reach of third parties without our written permission. Likewise, the receiver is not allowed to use this drawing as a basis for manufacture. Violation of the above conditions will result in legal prosecution. Sandvik Mining and Construction Materials Handling GmbH & Co KG






ABB Limited, Bangalore Sandvik Mining and Construction Materials Handling

Title 1043-HONGSA MINE MOUTH PROJECT-COAL HANDLING SYSTEM
BOM FOR 6.6kV, 300kvar, 3Ph, ENCLOSED CAPACITOR BANK

ABB DWG. No. 3BYN463001-CEC

Released for Approval			
Date	14.06.2013		
Signed	VK		
Date	Name	Scale	NTS
Designed	14.06.13	DG	Material
Drawn	14.06.13	DG	
Checked	14.06.13	DG	Mass
Signed	14.06.13	VK	
Sandvik-Dwg.No.	Sheet	5 of 10	Rev C
		-	Si. A.

A

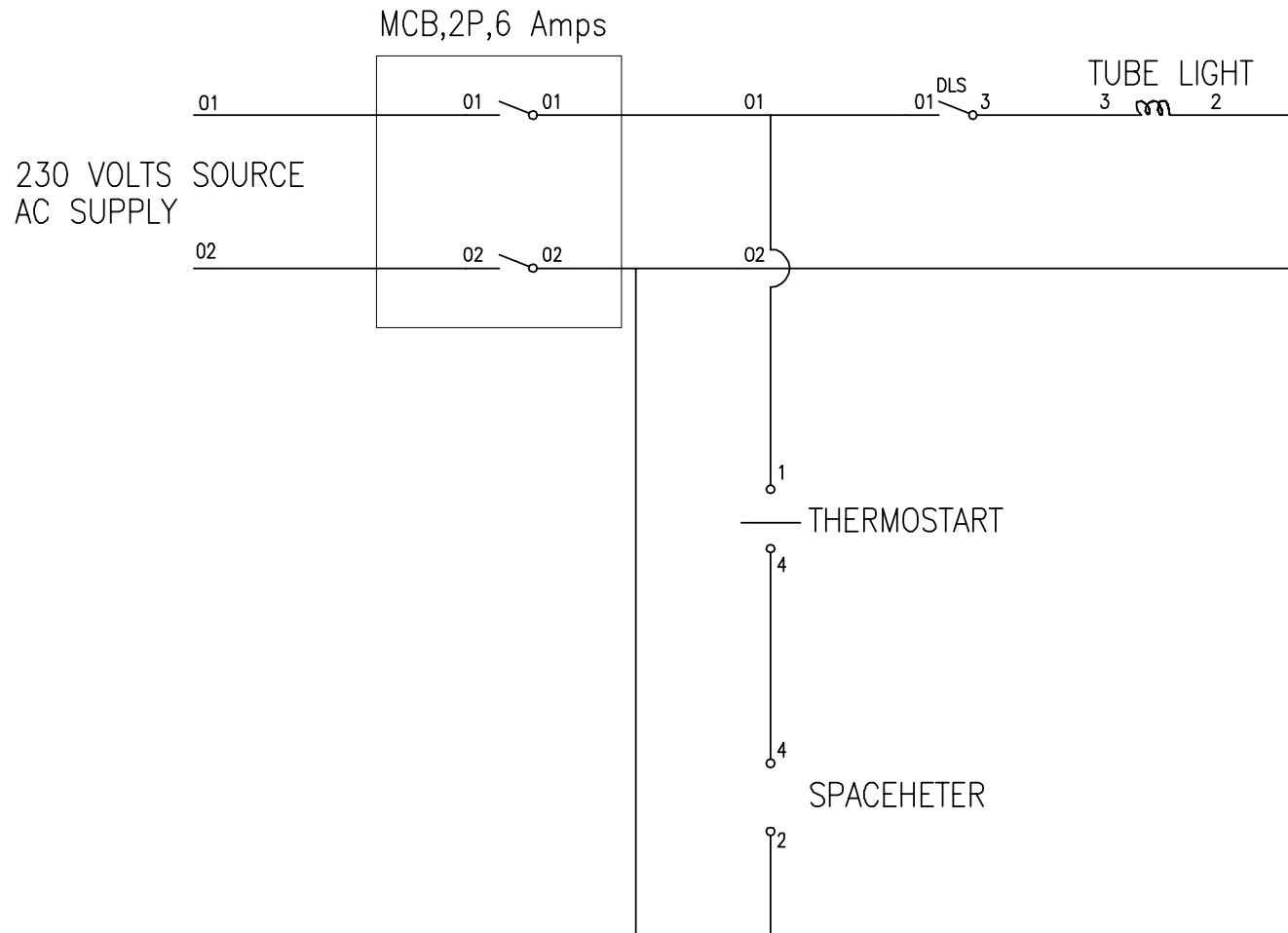
B

C

D

E

F



YC1H318352-004

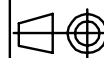
Client

**HONGSA
POWER**

HONGSA POWER COMPANY LIMITED

DWG. NO.

This drawing is confidential and our intellectual property. It must not be reproduced nor transferred to or brought within the reach of third parties without our written permission. Likewise, the receiver is not allowed to use this drawing as a basis for manufacture. Violation of the above conditions will result in legal prosecution. Sandvik Mining and Construction Materials Handling GmbH & Co KG



Title 1043-HONGSA MINE MOUTH PROJECT-COAL HANDLING SYSTEM

BOM FOR 6.6kV, 300kvar, 3Ph, ENCLOSED
CAPACITOR BANK

ABB DWG. No. 3BYN463001-CEC

Released for Approval

Date 14.06.2013

Signed VK

Date 14.06.13 Name DG Scale NTS

Designed 14.06.13 DG

Drawn 14.06.13 DG Material

Checked 14.06.13 DG

Signed 14.06.13 VK Mass



Sandvik-Dwg.No. Sheet 6 of 10 Rev C Si: A-



REVISION

REV.	BY	DATE	DESCRIPTION	CKD.	APP.
C	DG	05.09.14	As Built Drawing	DG	VK



CAPACITOR BANK



1.	Manufacturer's Name	Unit	ABB Ltd.
2.	Maker's Type Designation		CHD
3.	Standard followed		IEC 60871-1
4.	Purpose		Power Factor Improvement
5.	Location		Indoor
6.	System Specifications:		
	Voltage	KV	6.6 (+/-10%)
	Frequency	Hz	50 (+/-3%)
7.	Ambient Temperature:		
	Max. & Min Temperature	°C	50°C
	Rise Over Ambient Temperature	°C	0°C
8.	Capacitor Bank		300KVAR Bank
	8.1 Rated output (Installed)	KV	7.26
	8.2 Rated output (Effective)	KVAR	363
		KV	6.6
		KVAR	300
	8.3 No. of Phases		-----3-----
	8.4 Type of connection		-----InternalStar-----
	8.5 No. of units per bank		1
	8.6 Power frequency withstand voltage	KV _{rms}	28
	8.7 Impulse withstand voltage	KV _{peak}	75
	8.8 Type of mounting		Vertical, type mounting
	8.9 Terminal Arrangement (a) Incoming		Suitable for 3C X120+ 3C X 70/3 NTSCGEWEOEUC OR Equivalent Flexible Copper cable 6/10 KV Rated Voltage grade

Rev No	Revision	Appd	Year	Week	Customer : M/S HONGSA POWER COMPANY LIMITED
<u>Article No.</u>					<u>Description</u>
YC1H418146-110					Data Sheet For Outdoor Capacitor Bank (As Built)
Design Checked by DG		Prepared by AS			<u>Order Reference</u> 4200699010
					<u>Enquiry Reference</u> 10167
Drawing Approved by VK		Issued by Dept PPHVC	Year 2013	Week 34	Format no.
					Rev C
					Sheet 1 Cont. 2
		ABB DWG NO: 3BYN463001-BEJ			
					SANDVIK DWG NO: 1043C00M-30-801-01

CAPACITOR BANK							
				Unit			
9.1	Rated Output			KVAR	300KVAR BANK		
9.2	Rated Voltage			KV	6.6kV		
9.3	Rated Current through bank			Amps	28.87A		
9.4	No. of Bushings				-----3-----		
9.5	Unit Protection				External Fuses		
9.6	Losses (In Capacitor Units only) (After a few hours of energization)			Watts/ KVAR	-----less than 0.2-----		
9.7	Di - electric type				All Poly Propylene		
9.8	Insulation level						
	a. Power Frequency withstand voltage			KV _{rms}	28		
	b. Impulse withstand voltage			KV _{peak}	75		
9.9	Permissible Load				} As Per IEC 60871-1		
	a. Voltage						
	b. Current						
	c. Output						
9.10	Discharge device to discharge capacitor to 50 V or less in 600 seconds after disconnection from supply Directly connected internal discharge resistor				Yes		
9.11	Container Material & Thickness				Stainless steel , 1.5mm		
10.	Creepage distance			mm/KV	-----31-----		
11.	Clearances						
	• From phase to phase			mm	90		
	• From phase to earth			mm	90		
12.	Quantity of Banks			Nos.	4		
13.	Drawing No.				YC1H418352-031 YC1H418353-031		
14	System Earthing				Un-Earth System		
Rev No	Revision	Appd	Year	Week	Customer : M/S HONGSA POWER COMPANY LIMITED		
<u>Article No.</u>				<u>Description</u>			
YC1H418146-110				Data Sheet For Outdoor Capacitor Bank (As Built)			
Design Checked by DG		Prepared by DG		Order Reference 4200699010	Enquiry Reference 10167		
Drawing Approved by VK		Issued by Dept PPHVC	Year 2013	Week 34	Format no.	Rev C	Sheet 2 Cont. -
		ABB DWG NO: 3BYN463001-BEJ				SANDVIK DWG NO: 1043C00M-30-801-01	

GUARANTEE TECHNICAL PARTICULARS

SERIES REACTOR									
1.	Reference Standard		Unit	IEC- 60076-6					
2.	System Specification <ul style="list-style-type: none"> • Voltage • Frequency 	KV Hz		6.6 (+/-10%) 50 (+/-3%)					
3.	Ambient Temperature <ul style="list-style-type: none"> • Maximum Temperature • Minimum Temperature 	°C °C		50°C 0°C					
4.	Type of Reactor <ul style="list-style-type: none"> 4.1 Purpose 4.2 Location 4.3 Mounting 4.4 Core 4.5 Shielding 4.6 No. Of phases 4.7 Connection 			Air Core Dry Type Inrush Current limiting Indoor Mounted within metal enclosure Air Non-Shielded Open Execution type 3Nos. of 1 Phase Coils/ Bank Line Side					
5.	Reactor Rating <ul style="list-style-type: none"> 5.1 Rated fundamental current 5.2 Inductance 5.3 Inductance Reactance 	Amps mH Ohms/ph		300KVAR BANK 28.87 50µH 0.0157					
6.	Short time Current winding <ul style="list-style-type: none"> • Terminal • Winding 	KA/2Sec. KA/2Sec.		25 times of rated current 25 times of rated current					
7.	Max permissible continuous current			130% times of the rated current					
Rev No	Revision	Appd	Year	Week	Customer: M/S HONGSA POWER COMPANY LIMITED				
<u>Article No.</u> YC1H418146-54					<u>Description</u> DATA SHEET FOR DRY TYPE SERIES REACTOR (As Built)				
Design Checked by DG			Prepared by DG			Order Reference 4200699010		Enquiry Reference 10167	
Drawing Approved by VK		Issued by Dept PPHVC	Year 2013	Week 34		Format No.		Rev C	Sheet 1 Cont. 2
		ABB DWG NO: 3BYN463001-BEJ					SANDVIK DWG NO: 1043C00M-30-801-01		

SERIES REACTOR						
8.	Tolerance in inductance				0 to 20%	
9.	Class of insulation				F	
10.	Insulation level <ul style="list-style-type: none"> Power frequency withstand voltage Impulse withstand voltage 	KV _{rms} KV _{peak}			28 75	
11.	Terminal Arrangement <ul style="list-style-type: none"> Incoming Outgoing 				Suitable for Copper Conductor Suitable for Copper Conductor	
12.	Winding material				Aluminum	
13.	Clearances: <ul style="list-style-type: none"> From phase to phase From phase to earth 	mm mm			NA- Reactor are single phase	
14.	Magnetic clearances	mm			As per GA drawings	
15.	Creepage distance	mm/KV			25	
16.	Quantity	Nos.			3 No per bank	
17.	GA Drawing No.				QP-AN-GA-14422-13 QP-AN-GA-14424-14	
Rev No	Revision	Appd	Year	Week	Customer: M/S HONGSA POWER COMPANY LIMITED	
<u>Article No.</u> YC1H417571-054				<u>Description</u> DATA SHEET FOR DRY TYPE SERIES REACTOR (As Built)		
Design Checked by DG		Prepared by AS		Order Reference 4200699010	Enquiry Reference 10167	
Drawing Approved by VK	Issued by Dept PPHVC	Year 2013	Week 34	Format No.	Rev C	Sheet 2 Cont. -
	ABB DWG NO: 3BYN463001-BEJ				SANDVIK DWG NO: 1043C00M-30-801-01	